

## NEW RANGE OF COMPONENTS best performance



### Future product portfolio Rotary feeders

- Rotary feeders types CFM/CFH
- Rotary feeders types D5 and DX5 (series II)
- Rotary feeders types A1/AG11 and AX1/AGX11 (series II)
- Rotary feeders type PFC

### Future product portfolio Diverter valves

- Diverter valves types VST/TST
- Diverter valves type M
- Diverter valves type ZWR (only in the "wear-resistant" version)
- Diverter valves types ZWS/DWS
- Diverter valves type ZWV

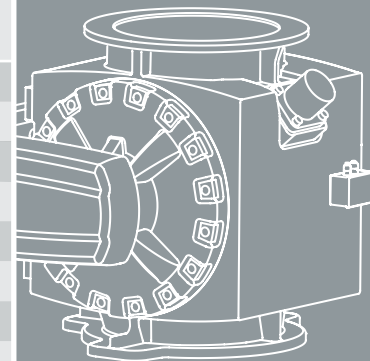


**Good just got better!**



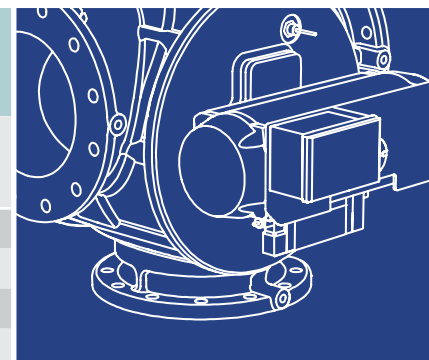
## Outgoing models rotary feeders range

| Rotary feeder type | Replaced by | Rotary feeder type                |
|--------------------|-------------|-----------------------------------|
| MDS                | ▶           | CFM                               |
| HDS                | ▶           | CFH                               |
| AGSY/PSY           | ▶           | CFM/CFH                           |
| AG/AP              | ▶           | A1/AG11 and AX1/AGX11 (series II) |
| A4/AG14            | ▶           | A1/AG11 and AX1/AGX11 (series II) |
| D6/DG16            | ▶           | D5 and DX5 (series II)            |
| Blow               | ▶           | D5 and DX5 (series II)            |
| Drop               | ▶           | A1/AG11 and AX1/AGX11 (series II) |
| AE/AGE             | ▶           | AX1/AGX11 (series II)             |
| DE/DGE             | ▶           | D5 and DX5 (series II)            |
| HDP/DPT            | ▶           | CFH                               |



## Outgoing models diverter valves range

| Diverter valve type | Replaced by | Diverter valve type                       |
|---------------------|-------------|---|
| V/Y                 | ▶           | VST                                       |
| T                   | ▶           | TST                                       |
| ZWR                 | ▶           | VST (exception: "wear-resistant" version) |
| WKP                 | ▶           | ZWV                                       |



Zeppelin Sales Components  
 Tel.: +49 7541 202-841  
 Fax: +49 7541 202-582  
 Email: [birgit.ritter@zeppelin.com](mailto:birgit.ritter@zeppelin.com)

Zeppelin Spare Parts Service  
 Tel.: +49 7541 202-555  
 Fax: +49 7541 202-276  
 Email: [service.systems@zeppelin.com](mailto:service.systems@zeppelin.com)

Zeppelin Systems GmbH  
 Graf-Zeppelin-Platz 1  
 88045 Friedrichshafen, Germany

For the complete Zeppelin Systems range please visit our website at  
[www.zeppelin-systems.com](http://www.zeppelin-systems.com)